

VIZIO



QUICK START GUIDE

Models: M601d-A3 & M701d-A3

IMPORTANT SAFETY INSTRUCTIONS

Your TV is designed and manufactured to operate within defined design limits. Misuse may result in electric shock or fire. To prevent your TV from being damaged, the following instructions should be observed for the installation, use, and maintenance of your TV. Read the following safety instructions before operating your TV. Keep these instructions in a safe place for future reference.

To reduce the risk of electric shock or component damage, switch off the power before connecting other components to your TV.

- Read these instructions.
- Keep these instructions.
- Heed all warnings.
- Follow all instructions.
- Do not use this apparatus near water.
- Clean only with a dry cloth.
- Do not block any ventilation openings. Install in accordance with the manufacturer's instructions.
- Do not install near any heat sources such as radiators, heat registers, stoves, or other apparatus (including amplifiers) that produce heat.
- Do not defeat the safety purpose of the polarized or grounding-type plug. A polarized plug has two blades and a third grounding prong. The wide blade or the third prong are provided for your safety. If the provided plug does not fit into your outlet, consult an electrician for replacement of the obsolete outlet.
- Protect the power cord from being walked on or pinched, particularly at plugs, convenience receptacles, and the point where they exit from the apparatus.
- Only use attachments/accessories specified by the manufacturer.
- Use only with the cart, stand, tripod, bracket, or table specified by the manufacturer, or sold with the apparatus. When a cart is used, use caution when moving the cart/apparatus combination to avoid injury from tip-over.
- Unplug this apparatus during lightning storms or when unused for long periods of time.
- Refer all servicing to qualified service personnel. Servicing is required when the apparatus has been damaged in any way, such as when the power-supply cord or plug is damaged, liquid has been spilled or objects have fallen into the apparatus, the apparatus has been exposed to rain or moisture, does not operate normally or has been dropped.
- Unplug the power cord before cleaning your TV.
- When moving your TV from an area of low temperature to an area of high temperature, condensation may form in the housing. Wait before turning on your TV to avoid causing fire, electric shock, or component damage.
- A distance of at least three feet should be maintained between your TV and any heat source, such as a radiator, heater, oven, amplifier etc. Do not install your TV close to smoke. Operating your TV close to smoke or moisture may cause fire or electric shock.
- Slots and openings in the back and bottom of the cabinet are provided for ventilation. To ensure reliable operation of your TV and to protect it from overheating, be sure these openings are not blocked or covered. Do not place your TV in a bookcase or cabinet unless proper ventilation is provided.
- Never push any object into the slots and openings on your TV cabinet. Do not place any objects on the top of your TV. Doing so could short circuit parts causing a fire or electric shock. Never spill liquids on your TV.
- Your TV should be operated only from the type of power source indicated on the label. If you are not sure of the type of power supplied to your home, consult your dealer or local power company.
- Do not apply pressure or throw objects at your TV. This may compromise the integrity of the display. The manufacturer's warranty does not cover user abuse or improper installations.
- The power cord must be replaced when using different voltage than the voltage specified. For more information, contact your dealer.
- When connected to a power outlet, power is always flowing into your TV. To totally disconnect power, unplug the power cord.
- The lightning flash with arrowhead symbol within an equilateral triangle is intended to alert the user to the presence of unisolated, dangerous voltage within the inside of your TV that may be of sufficient magnitude to constitute a risk of electric shock to persons.



- Do not overload power strips and extension cords. Overloading can result in fire or electric shock.
- The wall socket should be installed near your TV and easily accessible.
- Only power of the marked voltage can be used for your TV. Any other voltage than the specified voltage may cause fire or electric shock.
- Do not touch the power cord during lightning. To avoid electric shock, avoid handling the power cord during electrical storms.
- Unplug your TV during a lightning storm or when it will not be used for long period of time. This will protect your TV from damage due to power surges.
- Do not attempt to repair or service your TV yourself. Opening or removing the back cover may expose you to high voltages, electric shock, and other hazards. If repair is required, contact your dealer and refer all servicing to qualified service personnel.
- **WARNING:** Keep your TV away from moisture. Do not expose your TV to rain or moisture. If water penetrates into your TV, unplug the power cord and contact your dealer. Continuous use in this case may result in fire or electric shock.
- Do not use your TV if any abnormality occurs. If any smoke or odor becomes apparent, unplug the power cord and contact your dealer immediately. Do not try to repair your TV yourself.
- Avoid using dropped or damaged appliances. If your TV is dropped and the housing is damaged, the internal components may function abnormally. Unplug the power cord immediately and contact your dealer for repair. Continued use of your TV may cause fire or electric shock.
- Do not install your TV in an area with heavy dust or high humidity. Operating your TV in environments with heavy dust or high humidity may cause fire or electric shock.
- Follow instructions for moving your TV. Ensure that the power cord and any other cables are unplugged before moving your TV.
- When unplugging your TV, hold the AC/DC power adapter, not the cord. Pulling on the power cord may damage the wires inside the cord and cause fire or electric shock. When your TV will not be used for an extended period of time, unplug the power cord.
- To reduce risk of electric shock, do not touch the connector with wet hands.
- Insert batteries in accordance with instructions. Incorrect polarities may cause the batteries to leak which can damage the remote control or injure the operator. Do not expose batteries to excessive heat such as sunshine, fire or the like.
- If any of the following occurs, contact the dealer:
 - The power cord fails or frays.
 - Liquid sprays or any object drops into your TV.
 - Your TV is exposed to rain or other moisture.
 - Your TV is dropped or damaged in any way.
 - The performance of your TV changes substantially.
- This apparatus shall not be exposed to dripping or splashing and no objects filled with liquids, such as vases, shall be placed on the apparatus.
- The mains plug or appliance coupler is used as the disconnect device, the disconnect device shall remain readily operable.
- **CAUTION** - These servicing instructions are for use by qualified service personnel only. To reduce the risk of electric shock, do not perform any servicing other than that contained in the operating instructions unless you are qualified to do so.



The lightning flash with arrowhead symbol within an equilateral triangle is intended to alert the user to the presence of unisolated DANGEROUS VOLTAGE within the product's enclosure that may be of sufficient magnitude to constitute a risk of electrical shock to persons.



The exclamation point within an equilateral triangle is intended to alert the user to the presence of important operating and maintenance (servicing) instructions in the literature accompanying the product.



You may experience discomfort while watching 3D content. You may feel symptoms of eye strain, vision fatigue, color or depth distortion, motion sickness, nausea, dizziness, disorientation, or other discomforts. If you experience any of these symptoms, stop watching and take a break for at least thirty minutes before resuming. If the symptoms are severe or continue even after you have stopped watching 3D content, consult a doctor.



Take care to monitor children's watching of 3D content. Children (including teenagers) may be more at risk of experiencing discomfort while watching 3D content and less likely to report symptoms. Monitor children's 3D content viewing and watch for signs of discomfort.



Some viewers may be susceptible to epileptic seizures or strokes when viewing 3D images, even if those conditions have not been previously diagnosed. If you or anyone in your family has a history of seizures or strokes, or if you have any other reason to think you or someone under your supervision may be susceptible to epileptic seizures or strokes, consult a doctor before watching 3D content.



Even if you do not experience any of the above symptoms, take regular breaks from watching 3D content.

DO YOU HAVE QUESTIONS?
LET US HELP!
YOUR PRODUCT INCLUDES FREE LIFETIME TECH SUPPORT



The VIZIO support team is highly trained and is based in the United States.

We can help with:

- New Product Setup
- Connecting Your Devices
- Technical Problems
- And More

Phone: (877) 878-4946 (TOLL-FREE)

Email: techsupport@VIZIO.com

Web: <http://store.VIZIO.com/support>

Hours of operation:

Monday - Friday: 5 AM TO 8 PM (PST)

Saturday - Sunday: 7 AM TO 4 PM (PST)

We speak English • Se habla Español • Nous parlons Français

PACKAGE CONTENTS



VIZIO LED HDTV with Stand



Remote Control and Batteries



Power Cord



This Quick Start Guide



Theater 3D Glasses
Glasses may vary slightly from those shown.



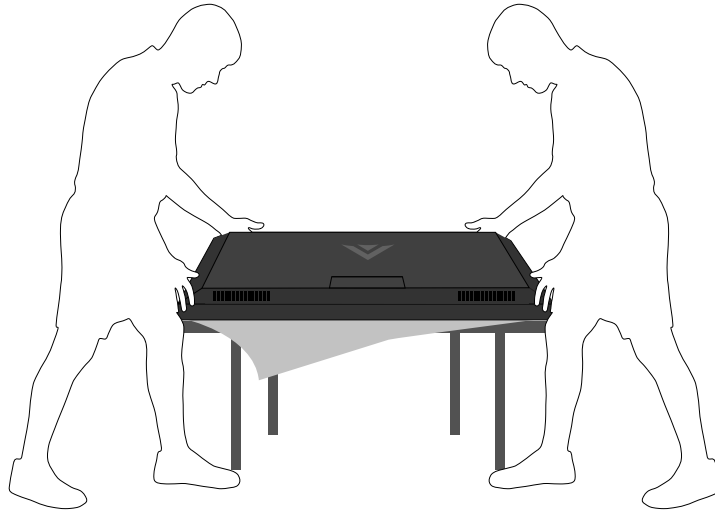
4 x M5 20mm
Phillips Screws



4 x M5 23mm
Phillips Screws

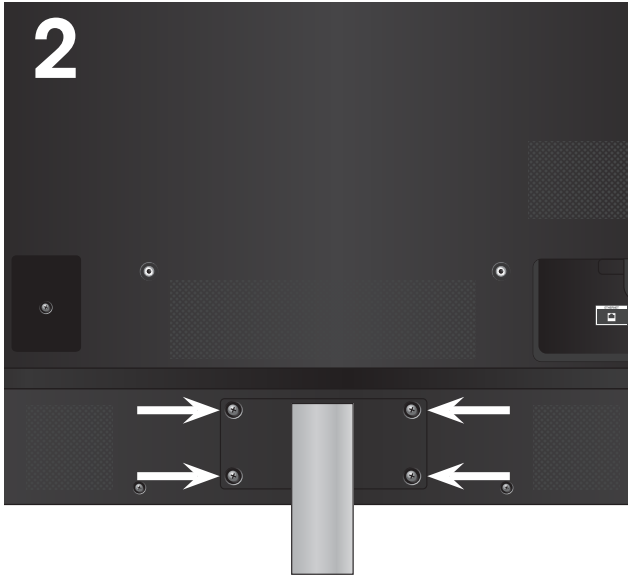
INSTALLING THE BASE

1



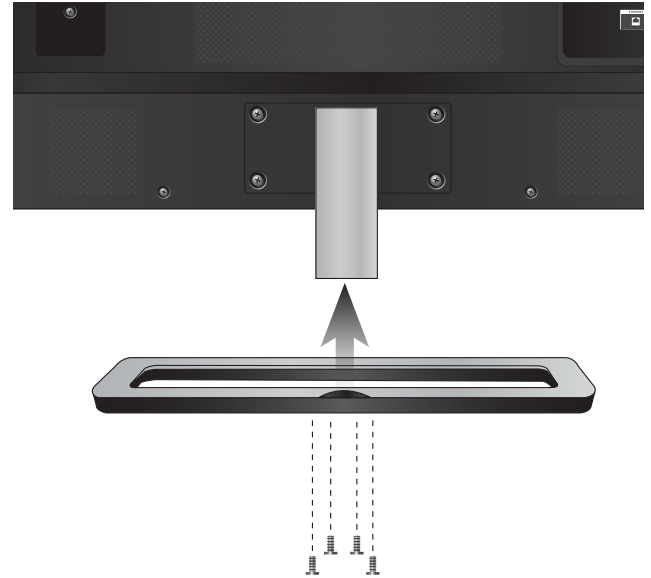
It is recommended that two people take part in the base installation.

Place the TV screen-down on a clean, flat surface. To prevent scratches or damage to the screen, place the TV on a soft surface, such as a blanket.



Align the neck piece with the back of the TV.

Insert and tighten the four (4) included M5 20mm Phillips screws into the back of the TV as shown.



Align the base with the neck. Insert and tighten the four (4) included M5 23mm Phillips screws into the bottom of the base as shown.

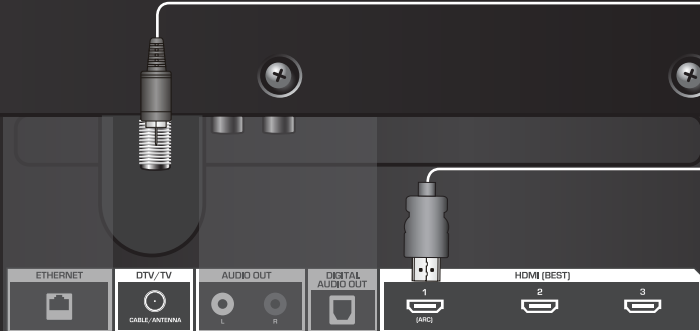
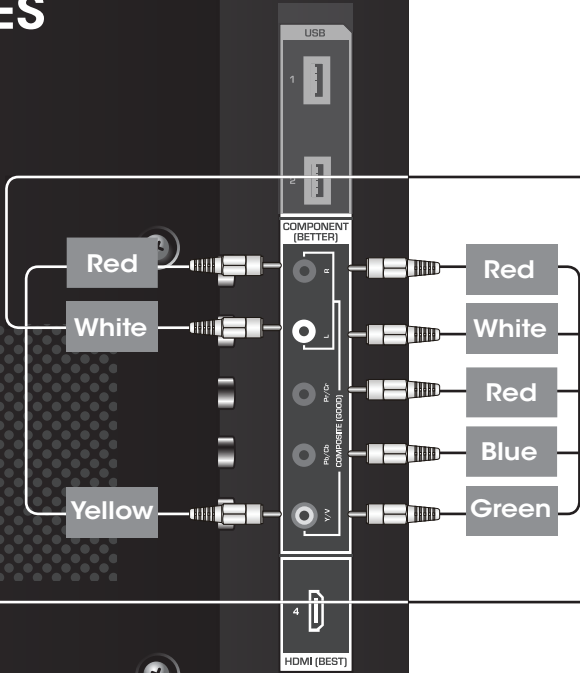
When you are finished, place the TV on a stable, level surface.

CONNECTING YOUR DEVICES

Connect all of your devices first.

Choose **ONE** connection type for each device.

Match colored connectors to colored ports.

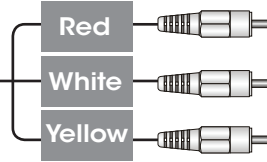


BACK OF TV

AV CABLE*

GOOD

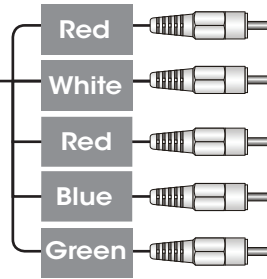
- ANALOG
- VIDEO (480i)**
- STEREO AUDIO



COMPONENT CABLE*

BETTER

- ANALOG
- HD VIDEO (1080i)**
- STEREO AUDIO



COAXIAL CABLE*

BETTER

- ANALOG
- HD VIDEO (1080i)**
- STEREO AUDIO



HDMI CABLE*

BEST

- DIGITAL
- HD VIDEO (1080p)**
- HD AUDIO



Commonly-Connected
Devices:



Cable or Satellite Boxes



Blu-ray™ or DVD Players



Game Consoles

*Cables are not included

** Maximum Resolution

USING THE REMOTE

DEVICE POWER Turn devices on or off.
APP LAUNCHER Quickly launch the pictured App.

INPUT
Change the currently-displayed input.

A/V CONTROLS
Control the USB media player and devices.

LIST
Display the channel guide when using a set-top box.

EXIT
Close the on-screen menu.

BACK
Go to the previous on-screen menu.

VOLUME UP/DOWN
Increase or decrease loudness of the audio.

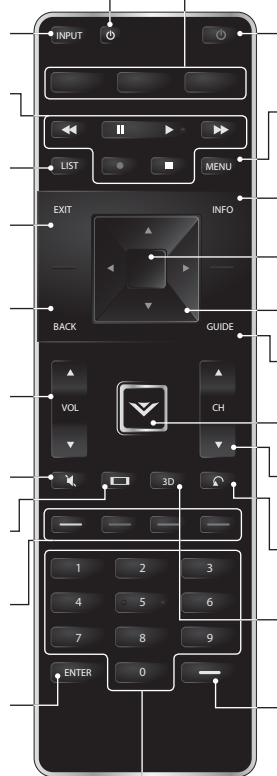
MUTE
Turn the audio off or on.

WIDE
Change the display mode.

HOT KEYS
Perform functions within an on-screen menu or app.

ENTER
Confirm channel or passcode entered using the Number Pad.

NUMBER PAD
Manually enter a channel.



POWER
Turn TV on or off.

MENU
Display the on-screen menu.

INFO
Display the info window.

OK
Select the highlighted option.

ARROW
Navigate the on-screen menu.

GUIDE
Display the info window.

V BUTTON
Open the V.I.A. Plus dock.

CHANNEL UP/DOWN
Change the channel.

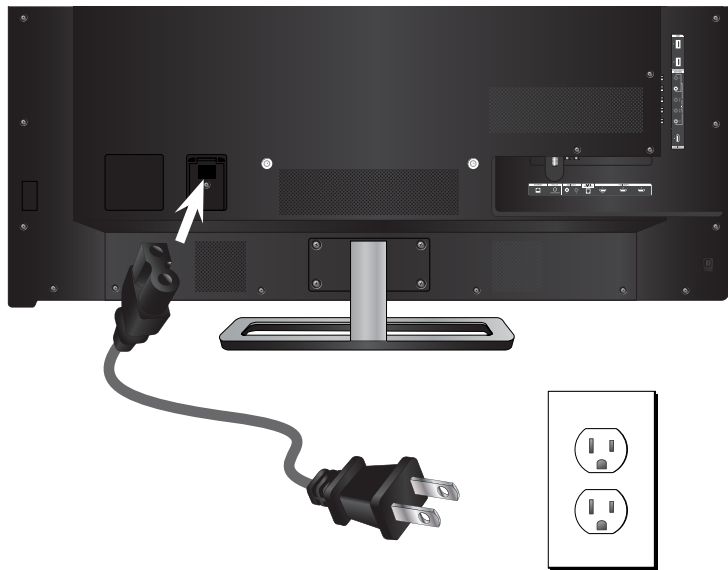
LAST
Return to the channel last viewed.

3D
Turn on the 3D mode.

DASH
Use with number pad to manually enter a digital sub-channel.
(For example, 18-4 or 18-5.)

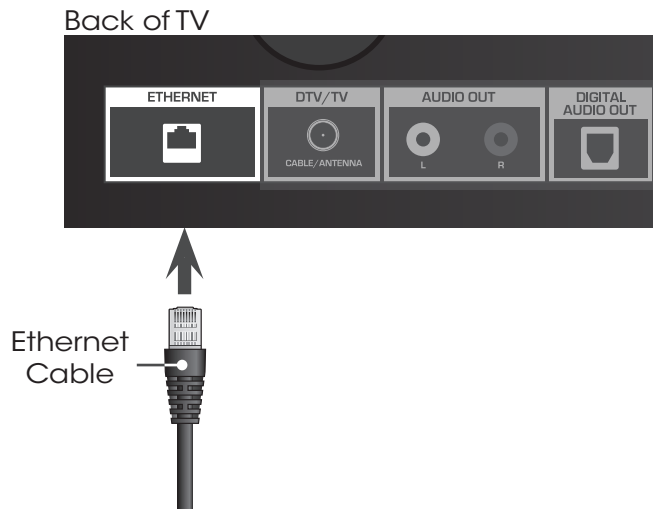
FIRST-TIME SETUP

1



Connect the power cord to the back of the TV.
Plug the power cord into an electrical outlet.

2



If you have a high-speed Internet connection,
connect an Ethernet cable from your modem/
router to the back of the TV as shown.

For the best Smart TV experience, VIZIO
recommends using an Ethernet cable.
However, your TV also has built-in Wi-Fi. See the
Connecting to the Internet with Wi-Fi section for
more information.

3

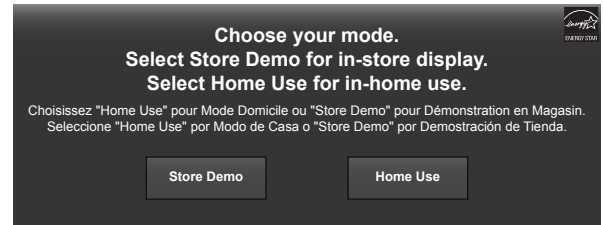


Remove the battery cover by pressing gently on the back cover and sliding away from the remote in the direction of the arrow.

Insert the included batteries.

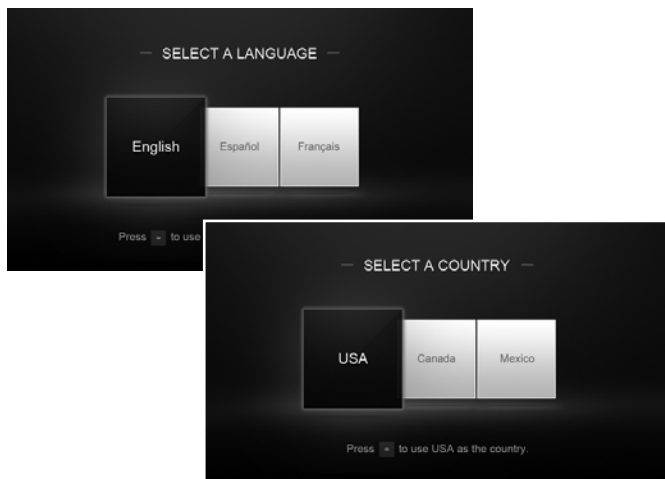
Gently slide the battery cover back into place.

4



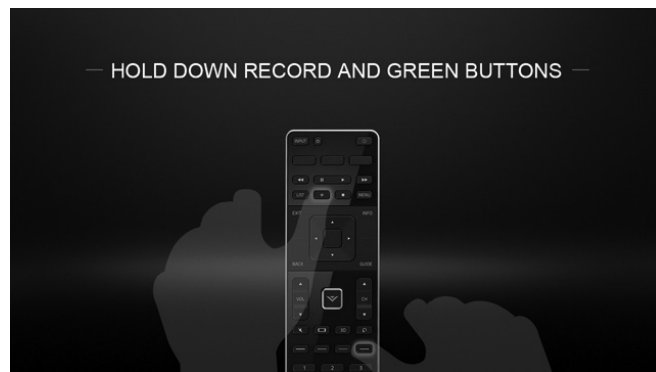
Turn the TV on by pressing the **Power Button** on the remote. The **Setup App** is displayed. Use the **Arrow Buttons** on the remote to highlight **Home Use** and press **OK**.

5



Use the **Arrow** buttons on the remote to select your preferred language and country and press **OK**.

6



Press and Hold the **Red Record** button and **Green Hotkey** button for 5 seconds to pair the Wi-Fi Direct remote.

Follow the on-screen instructions to complete the First-time setup.

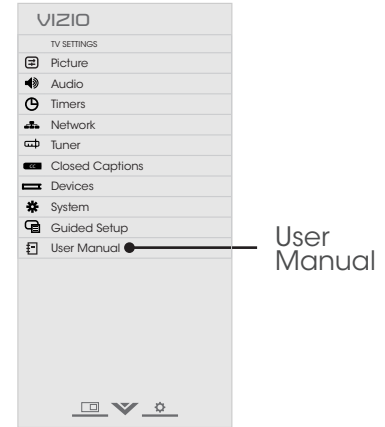
VIEWING THE ON-SCREEN USER MANUAL

1

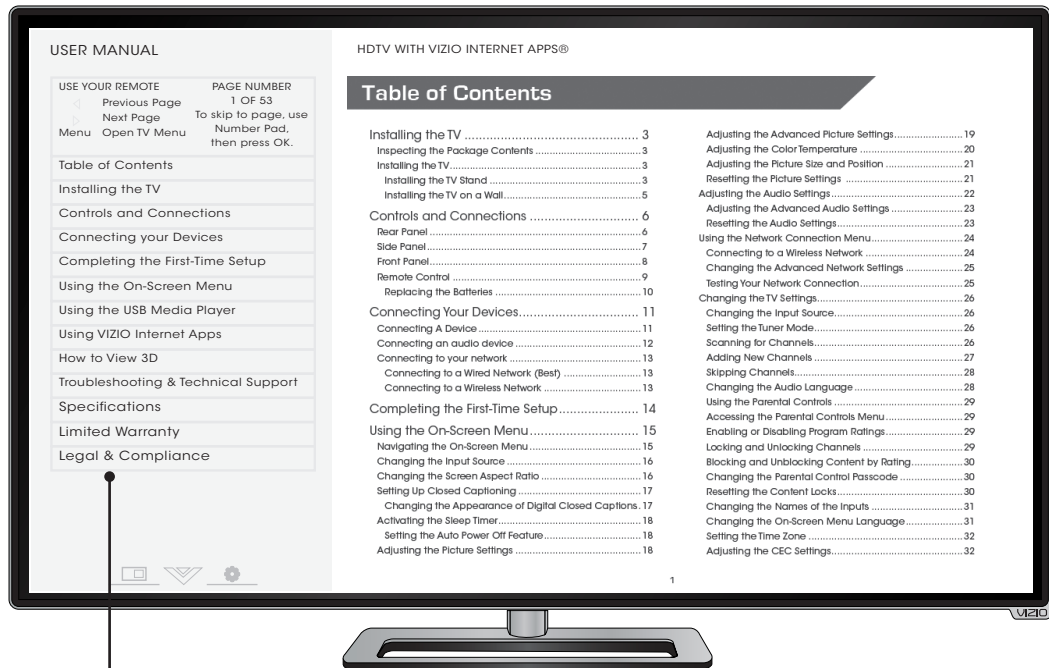


Press the **MENU Button** on the Remote Control to display the TV Settings menu.

2



Highlight **User Manual** and press **OK**.



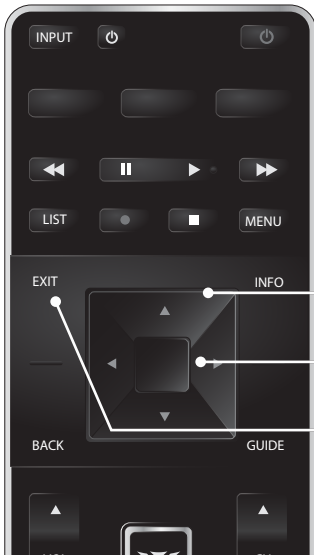
USER MANUAL

HDTV WITH VIZIO INTERNET APPS®

USE YOUR REMOTE	PAGE NUMBER
◀ Previous Page	1 OF 53
▶ Next Page	To skip to page, use
Menu	Number Pad, then press OK.
Table of Contents	
Installing the TV	
Controls and Connections	
Connecting your Devices	
Completing the First-Time Setup	
Using the On-Screen Menu	
Using the USB Media Player	
Using VIZIO Internet Apps	
How to View 3D	
Troubleshooting & Technical Support	
Specifications	
Limited Warranty	
Legal & Compliance	

Table of Contents

Installing the TV	3	Adjusting the Advanced Picture Settings.....	19
Inspecting the Package Contents	3	Adjusting the Color Temperature	20
Installing the TV	3	Adjusting the Picture Size and Position	21
Installing the TV Stand	3	Resetting the Picture Settings	21
Installing the TV on a Wall.....	5	Adjusting the Audio Settings.....	22
Controls and Connections	6	Adjusting the Advanced Audio Settings.....	23
Rear Panel.....	6	Resetting the Audio Settings.....	23
Side Panel.....	7	Using the Network Connection Menu.....	24
Front Panel.....	8	Connecting to a Wireless Network.....	24
Remote Control	9	Changing the Advanced Network Settings	25
Replacing the Batteries	10	Testing Your Network Connection.....	25
Connecting Your Devices.....	11	Changing the TV Settings.....	26
Connecting A Device.....	11	Changing the Input Source.....	26
Connecting an audio device.....	12	Setting the Tuner Mode.....	26
Connecting to your network.....	13	Scanning for Channels.....	26
Connecting to a Wired Network (Best).....	13	Adding New Channels.....	27
Connecting to a Wireless Network.....	13	Skipping Channels.....	28
Completing the First-Time Setup.....	14	Changing the Audio Language.....	28
Using the On-Screen Menu.....	15	Using the Parental Controls.....	29
Navigating the On-Screen Menu.....	15	Accessing the Parental Controls Menu.....	29
Changing the Input Source.....	16	Enabling or Disabling Program Ratings.....	29
Changing the Screen Aspect Ratio.....	16	Locking and Unlocking Channels.....	29
Setting Up Closed Captioning.....	17	Blocking and Unlocking Content by Rating.....	30
Changing the Appearance of Digital Closed Captions.....	17	Changing the Parental Control Passcode.....	30
Activating the Sleep Timer.....	18	Resetting the Content Locks.....	30
Setting the Auto Power Off Feature.....	18	Changing the Names of the Inputs.....	31
Adjusting the Picture Settings.....	18	Changing the On-Screen Menu Language.....	31
		Setting the Time Zone.....	32
		Adjusting the CEC Settings.....	32



Use the **Up** and **Down Arrow Buttons** to select the chapter you want to view.

Use the **Left** and **Right Arrow Buttons** to browse through the pages in each chapter.

Press the **EXIT Button** to exit the on-screen User Manual.

GETTING STARTED WITH VIZIO INTERNET APPS PLUS®

VIZIO Internet Apps Plus® (V.I.A. Plus) delivers popular online content to your TV. V.I.A. Plus features a selection of Apps that allow you to watch movies and TV shows, listen to music, get weather and news information, and more—all on demand.



A high-speed Internet connection is required to receive product updates and to access online content.



Press the **OK** button to launch an App.

Press the **Left/Right Arrow** buttons to scroll through the Apps on the dock. (The highlighted App is in the center of the dock.)

Press the **V Button** to display the V.I.A. Plus App Dock.
Press the **V Button** twice to launch the fullscreen V.I.A. Apps window.

The fullscreen V.I.A. Apps window allows you to add and store apps. The Apps on the first page are displayed in the Dock and Apps on additional pages can be moved to the Dock.

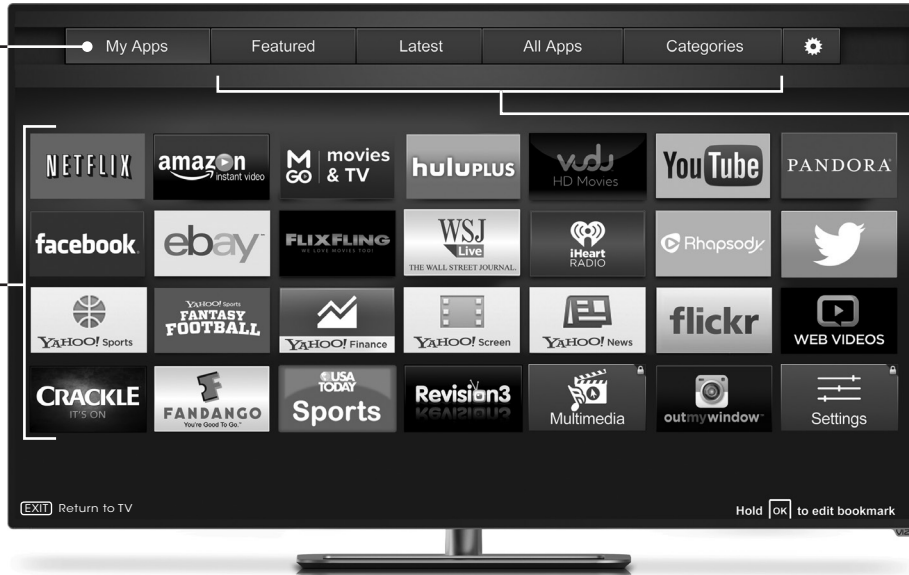
Press the **V Button** twice to launch the fullscreen V.I.A. Apps window.

My Apps

Features the apps installed on your TV.

Installed Apps

The Apps displayed here are also available in the V.I.A. Plus App Dock.



App Tabs

Browse through apps on these tabs and add them to your My Apps tab.

Note: App location, appearance, and availability subject to change without notice.

CONNECTING TO THE INTERNET WITH WI-FI

1



If you have already set up a wireless connection during the first-time setup, you can skip this section.

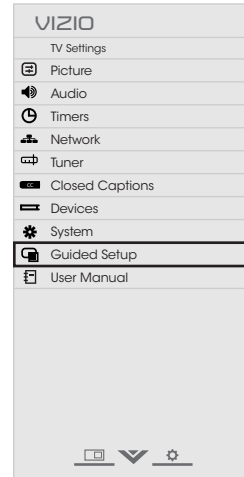
To connect to a wireless network you will need:

- Wireless Router
- High-speed Internet connection
- SSID (Wireless network name)
- Network Password

For streaming video, your Internet connection speed should be 1.5 Mbps or higher.

If you don't know how fast your connection speed is, contact your Internet Service Provider (ISP).

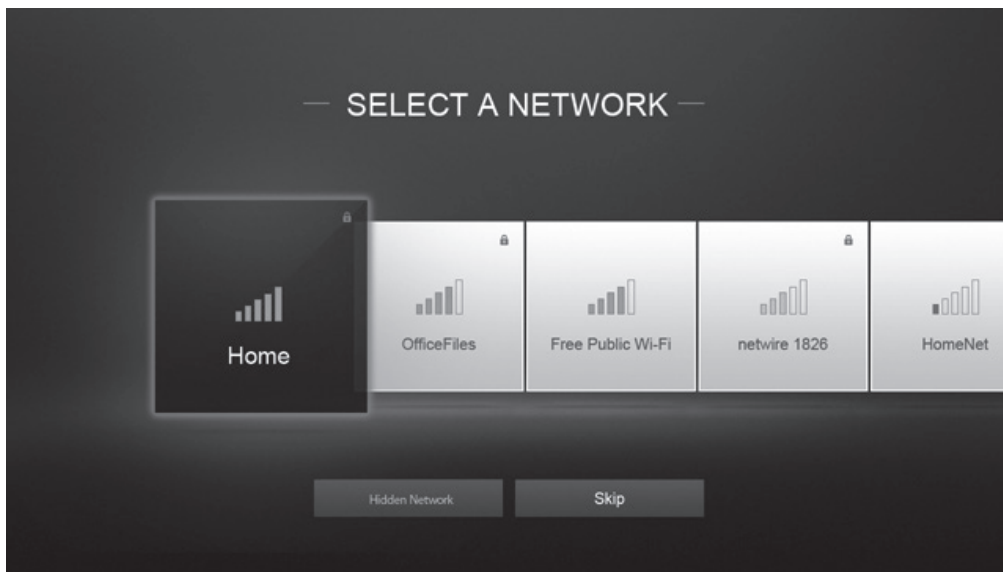
2



Press the **MENU Button** to display the TV Settings menu. Use the **Arrow Buttons** to highlight **Guided Setup** and press **OK**. The Guided Setup menu is displayed.

Highlight **Network Setup** and press **OK**. The Network Setup guide is displayed.

3



Highlight the name of your wireless network (this is the network's SSID) and press **OK**. If you do not see your SSID, you will need to enter it manually by selecting **Hidden Network**. For more information, see the TV's User Manual. Using the on-screen keyboard, enter your network's password, then highlight **Connect** and press **OK**.

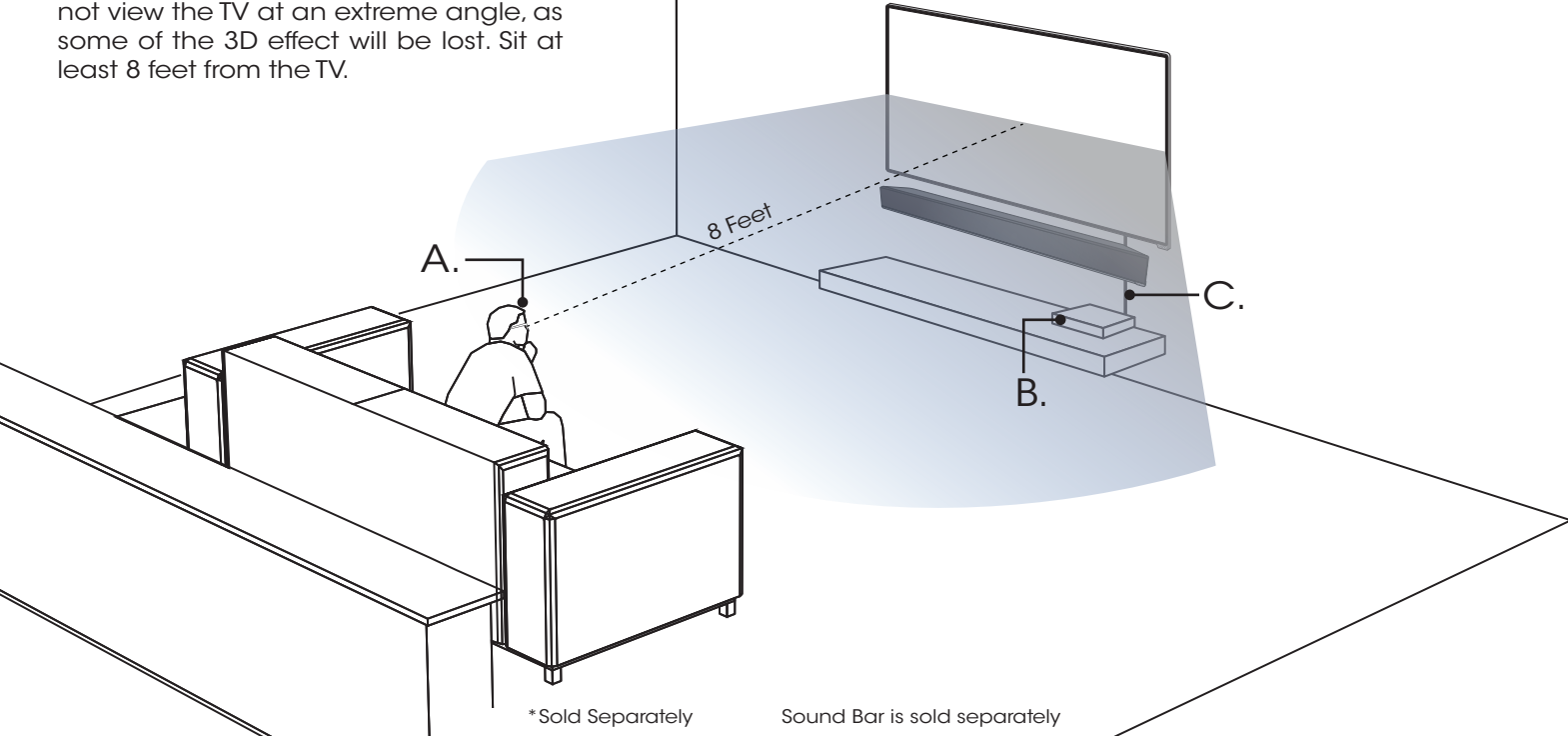
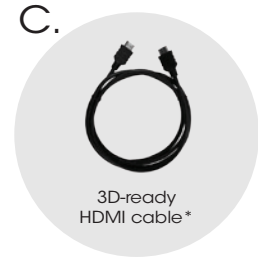


If you are having trouble connecting to your network, check your router placement. It should be in a place with minimal structural interference like walls or large metal objects, and away from any other devices that are broadcasting at 2.4GHz.

HOW TO VIEW 3D

You will need:

For the best 3D experience, try to view the TV straight-on, as shown here. Do not view the TV at an extreme angle, as some of the 3D effect will be lost. Sit at least 8 feet from the TV.



HELP TOPICS

- How do I return to the Setup App?
- The on-screen menu has guided setup. Press **MENU**, then select **Guided Setup**. Select the type of setup you need and press **OK**. The Setup App will begin.
 - To reset the TV to factory defaults, press **MENU > System > Reset & Admin > Reset TV to Factory Defaults**. If you have changed the default Parental Control Passcode, enter it now. Select **Reset**. Remember that all of your settings will be lost.

- There is a picture, but there is no sound.
- Press the **VOLUME UP** button on the remote.
 - Press the **MUTE** button on the remote to ensure that mute is off.
 - Press **MENU**, then select **Audio**. Be sure **TV Speakers** is set to **On**.
 - If you have an audio device connected to your TV, press **MENU > Audio** and set **Volume Control** to **External**.



- The TV displays "No Signal."
- Be sure your connected devices are turned on.
 - Press the **INPUT** button on the remote and select the input to which your device is connected (HDMI-1, HDMI-2, COMP, etc.).

- There are black/gray bars on the top/bottom/sides of the screen.
- Note that some television channels add black bars to the picture.
 - Set the TV to **Wide** or **Zoom** mode. Press the **Wide** button and highlight **Wide** or **Zoom** and press **OK**.
 - Adjust the video settings of your external device

- There is no power.
- Be sure the power cord is securely connected to the AC socket on the TV and to a working electrical outlet.
 - Press the **POWER** button on the remote or on the side of the TV.
 - If the above steps do not work, try plugging the power cord into a different outlet.

- The V.I.A. App is not working.
- Be sure your TV is connected to the Internet.
 - Restart the App by pressing the **EXIT** button to close the App, then open the App.
 - Reboot your TV by pressing the **POWER** button on the remote, then turn it back on.

- I am having trouble connecting to my network.
- If you are using an Ethernet cable, ensure it is securely connected to your router/modem and the TV.
 - If you are connecting wirelessly, try repositioning your router for the best connection.
 - Turn off all devices. Restart your router/modem.
 - Try to use another internet-connected device. If it is not working, call your Internet Service Provider (ISP).

- The remote is not responding.
- Make sure the batteries are properly inserted, matching the - and + symbols.
 - Replace the batteries with fresh ones.
 - Reset the remote: **Press and hold** the **Fast-Forward**  and **Enter**  buttons for 10 seconds.
 - Remove and replace the batteries, then re-pair the remote using the remote **Guided Setup** menu. Press **MENU > Guided Setup > Remote Setup** and follow the on-screen instructions.

LEGAL / COMPLIANCE

FCC Class B Radio Interference Statement

NOTE: This equipment has been tested and found to comply with the limits for a Class B digital device, pursuant to Part 15 of the FCC Rules. These limits are designed to provide reasonable protection against harmful interference in a residential installation. This equipment generates, uses and can radiate radio frequency energy, and if not installed and used in accordance with the instructions, may cause harmful interference to radio communications. However, there is no guarantee that interference will not occur in a particular installation. If this equipment does cause harmful interference to radio or television reception, which can be determined by turning the equipment off and on, the user is encouraged to try to correct the interference by one or more of the following measures:

- Reorient or relocate the receiving antenna.
- Increase the separation between the equipment and receiver.
- Connect the equipment into an outlet on a circuit different from that to which the receiver is connected.
- Consult the dealer or an experienced radio/TV technician for help.

This device complies with Part 15 of the FCC Rules. Operation is subject to the following two conditions: (1) this device may not cause harmful interference, and (2) this device must accept any interference received, including interference that may cause undesired operation.

Notice

The changes or modifications not expressly approved by the party responsible for compliance could void the user's authority to operate the equipment.

Shielded interface cables and AC power cord, if any, must be used in order to comply with the emission limits.

The manufacturer is not responsible for any radio or TV interference caused by unauthorized modification to this equipment. It is the responsibilities of the user to correct such interference.

FCC warning

Changes or modifications not expressly approved by the party responsible for compliance with the FCC Rules could void the user's authority to operate this equipment.

Caution

Always use an AC/DC power adapter that is properly grounded. Use the AC cords listed below for each area.

USA: UL Germany: VDE Japan: Electric Appliance Control Act

Canada: CSA UK: BASE/BS

Other

Image(s) used under license from Shutterstock.com

LIMITED WARRANTY

ON PARTS AND LABOR

Covers units purchased as new in United States and Puerto Rico Only.

VIZIO provides a warranty to the original purchaser of a new Product against defects in materials and workmanship for a period of one (1) year of non-commercial usage and ninety (90) days of commercial use. If a Product covered by this warranty is determined to be defective within the warranty period, VIZIO will either repair or replace the Product at its sole option and discretion.

To obtain warranty service, contact VIZIO Technical Support via e-mail: TechSupport@VIZIO.com or via phone at 877 MY VIZIO (877.698.4946) from 5:00AM to 8:00PM Monday through Friday and 7:00AM to 4:00PM Saturday and Sunday, Pacific Time, or visit www.VIZIO.com. PRE-AUTHORIZATION MUST BE OBTAINED BEFORE SENDING ANY PRODUCT TO A VIZIO SERVICE CENTER. Proof of purchase in the form of a purchase receipt or copy thereof is required to show that a Product is within the warranty period.

Parts and Labor

There will be no charge for parts or labor during the warranty period. Replacement parts and Products may be new or recertified at VIZIO's option and sole discretion. Replacement parts and Products are warranted for the remaining portion of the original warranty or for ninety (90) days from warranty service or replacement, whichever is greater.

Type of Service

Defective Products must be sent to a VIZIO service center to obtain warranty service. VIZIO is not responsible for transportation costs to the service center, but VIZIO will cover return shipping to the customer. PRE-AUTHORIZATION IS REQUIRED BEFORE SENDING ANY PRODUCT TO A VIZIO SERVICE CENTER FOR WARRANTY SERVICE.

Product returns to VIZIO's service centers must utilize either the original carton box and shipping material or packaging that affords an equal degree of protection. VIZIO Technical Support will provide instructions for packing and shipping the covered Product to the VIZIO service center.

Limitations and Exclusions

VIZIO's one-year limited warranty only covers defects in materials and workmanship. This warranty does not cover, for example: cosmetic damage, normal wear and tear, improper operation, improper voltage supply or power surges, signal issues, damages from shipping, acts of God, any type of customer misuse, modifications or adjustments, as well as installation and set-up issues or any repairs attempted by anyone other than by a VIZIO authorized service

center. Products with unreadable or removed serial numbers, or requiring routine maintenance are not covered. This one year limited warranty does not cover Products sold "AS IS", "FACTORY RECERTIFIED", or by a non-authorized reseller.

THERE ARE NO EXPRESS WARRANTIES OTHER THAN THOSE LISTED OR DESCRIBED ABOVE. ANY IMPLIED WARRANTIES, INCLUDING ANY IMPLIED WARRANTY OF MERCHANTABILITY AND FITNESS FOR A PARTICULAR PURPOSE, SHALL BE LIMITED IN DURATION TO THE PERIOD OF TIME SET FORTH ABOVE. VIZIO'S TOTAL LIABILITY FOR ANY AND ALL LOSSES AND DAMAGES RESULTING FROM ANY CAUSE WHATSOEVER INCLUDING VIZIO'S NEGLIGENCE, ALLEGED DAMAGE, OR DEFECTIVE GOODS, WHETHER SUCH DEFECTS ARE DISCOVERABLE OR LATENT, SHALL IN NO EVENT EXCEED THE PURCHASE PRICE OF THE PRODUCT. VIZIO SHALL NOT BE RESPONSIBLE FOR LOSS OF USE, LOSS OF INFORMATION OR DATA, COMMERCIAL LOSS, LOST REVENUE OR LOST PROFITS, OR OTHER INCIDENTAL OR CONSEQUENTIAL DAMAGES. SOME STATES DO NOT ALLOW LIMITATIONS ON HOW LONG AN IMPLIED WARRANTY LASTS OR THE EXCLUSION OF INCIDENTAL OR CONSEQUENTIAL DAMAGES, SO THE ABOVE LIMITATIONS OR EXCLUSIONS MAY NOT APPLY TO YOU. THIS WARRANTY GIVES YOU SPECIFIC LEGAL RIGHTS, AND YOU MAY ALSO HAVE OTHER RIGHTS, WHICH VARY FROM STATE TO STATE. THIS WARRANTY IS SUBJECT TO CHANGE WITHOUT NOTICE.

CHECK WWW.VIZIO.COM FOR THE MOST CURRENT VERSION.

Personal Data

If your VIZIO product is capable of storing personal data and other information, ALL CONTENTS AND INFORMATION WILL BE DELETED IN THE COURSE OF SOME IN-HOME AND ALL SHIP-IN WARRANTY SERVICE. If this occurs, your product will be restored to you configured as originally purchased. You will be responsible for restoring all applicable data and passwords. Recovery and reinstallation of user data is not covered under this Limited Warranty. In order to protect your personal information, VIZIO recommends that you always clear all personal information from the unit before it is serviced, regardless of the servicer.

Zero Bright Pixel Defect Guarantee

This policy covers "zero bright pixel" defects for the duration of the limited "ONE YEAR WARRANTY" on select new product purchases. To determine if this guarantee applies to your product, refer to the "DETAILS" tab of the model's product information page (www.VIZIO.com) or look for the "zero bright pixel" guarantee on the box.

